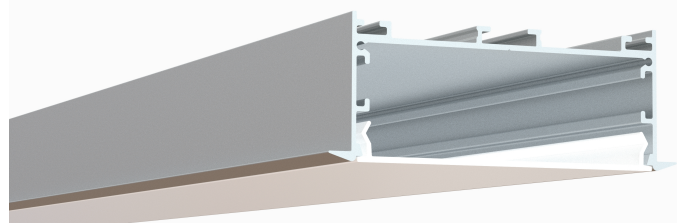


## Recessed LED Channel - 1082

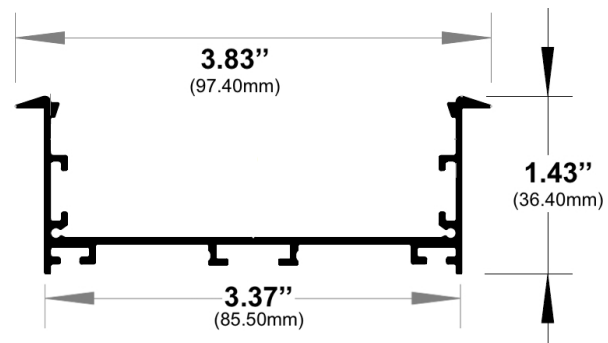
The **1082ASL** is a **Recessed LED Channel** compatible with **LED Strips up-to 3.00" (76.20mm) wide**.

It's designed for **recessed** installations to provide a clear and finished look.

Thanks to its design, 1082 Series provides **better cooling** and helps to **extend the lifespan of your LED Strip**.



Type:.....**LED Channel**  
Material:....**Aluminum 6063-T5**  
Surface:.....**Clear Anodized**  
Height:.....**36.40mm / 1.43"**  
Width:.....**85.50mm / 3.37"**



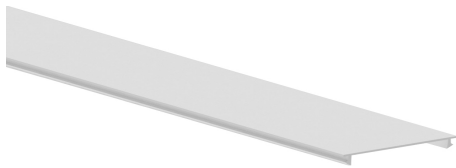
### Length Availability

8ft (Actual Size 94") / 2.40m  
10ft (Actual Size 118") / 3.00m

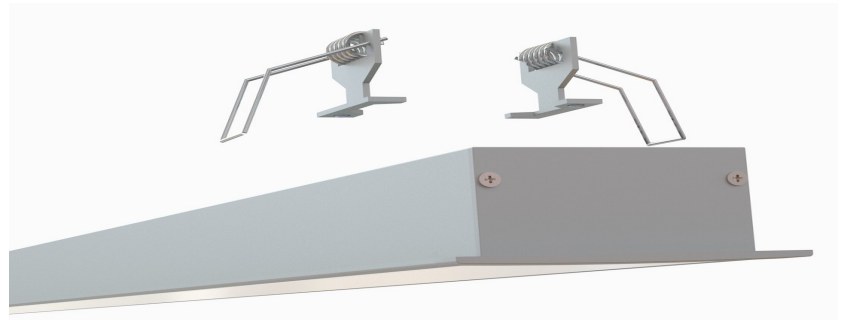


## Accessories

### Diffuser Cover Lens



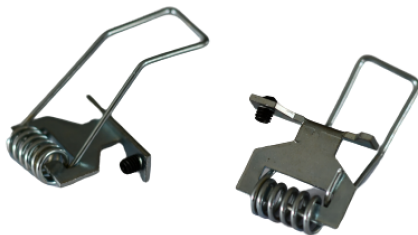
Frosted Diffuser



### End Caps & Mounting Spring



Plastic End Cap



Mounting Spring

